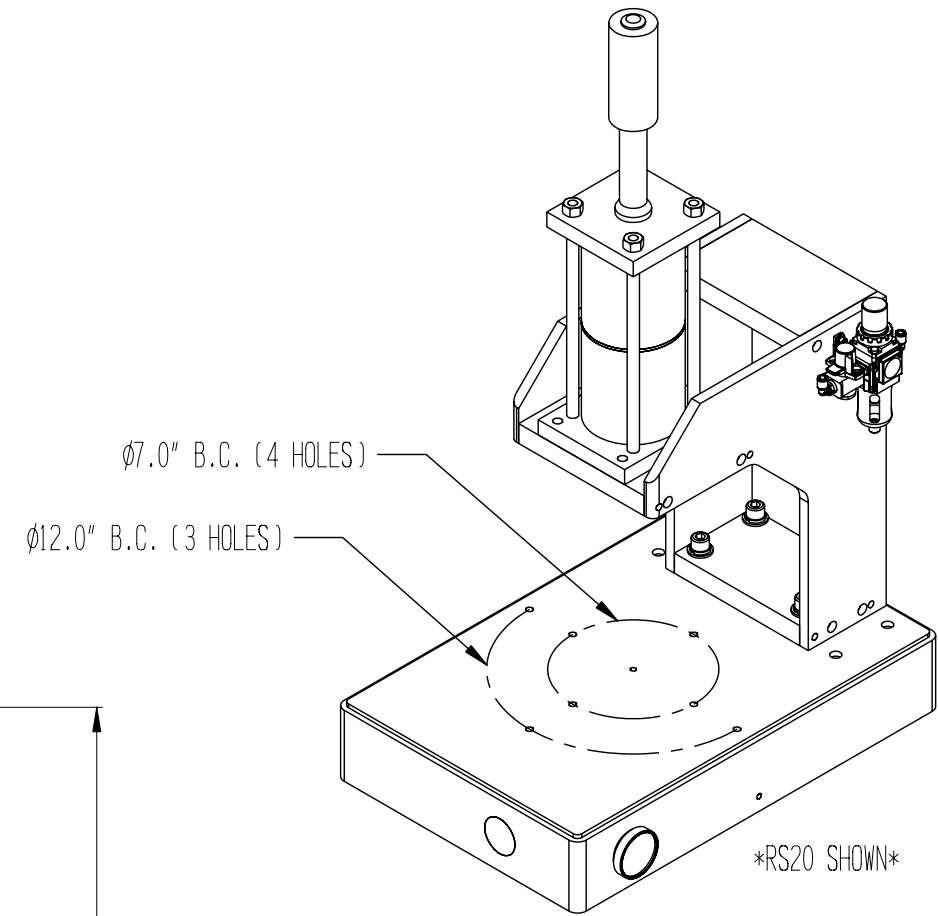
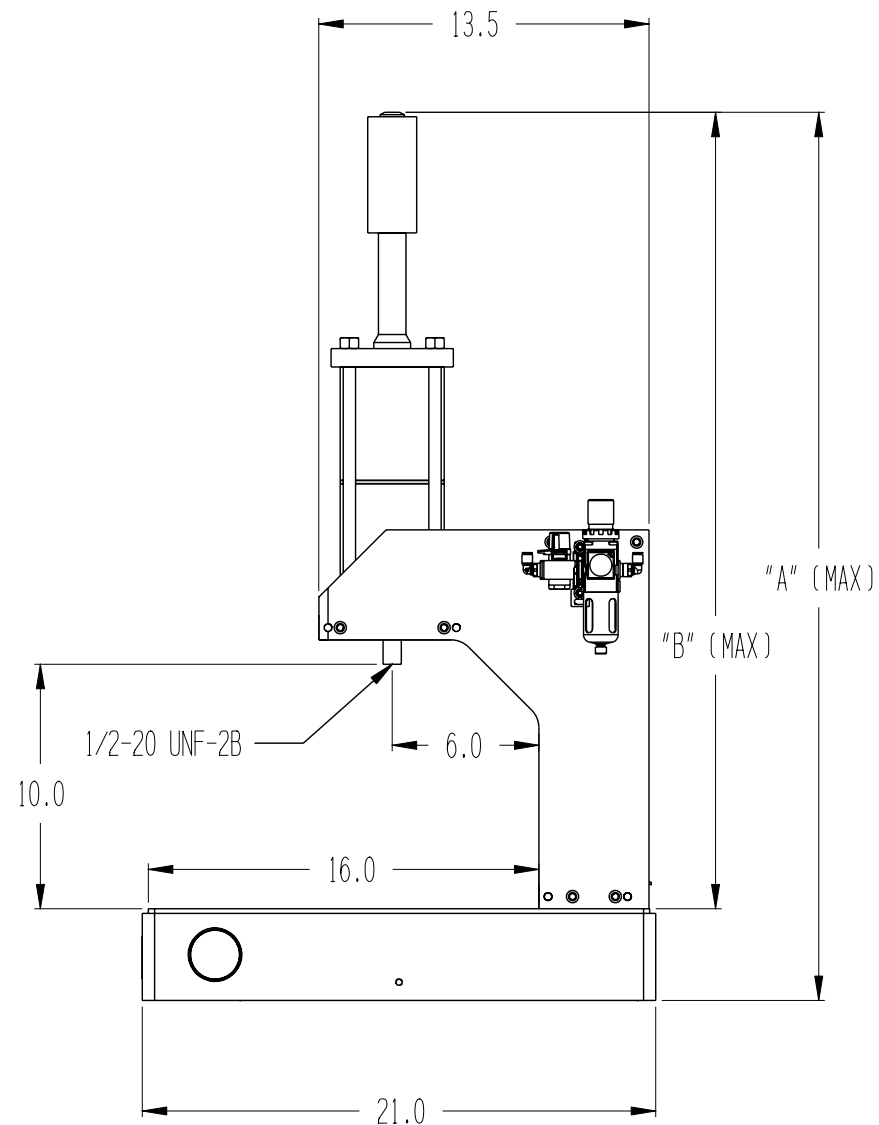
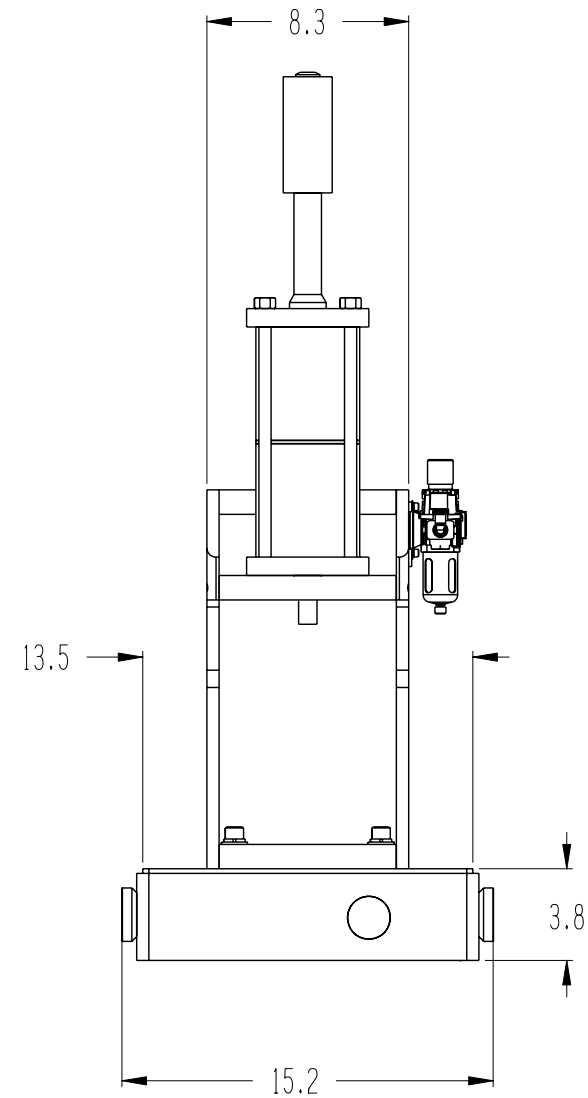
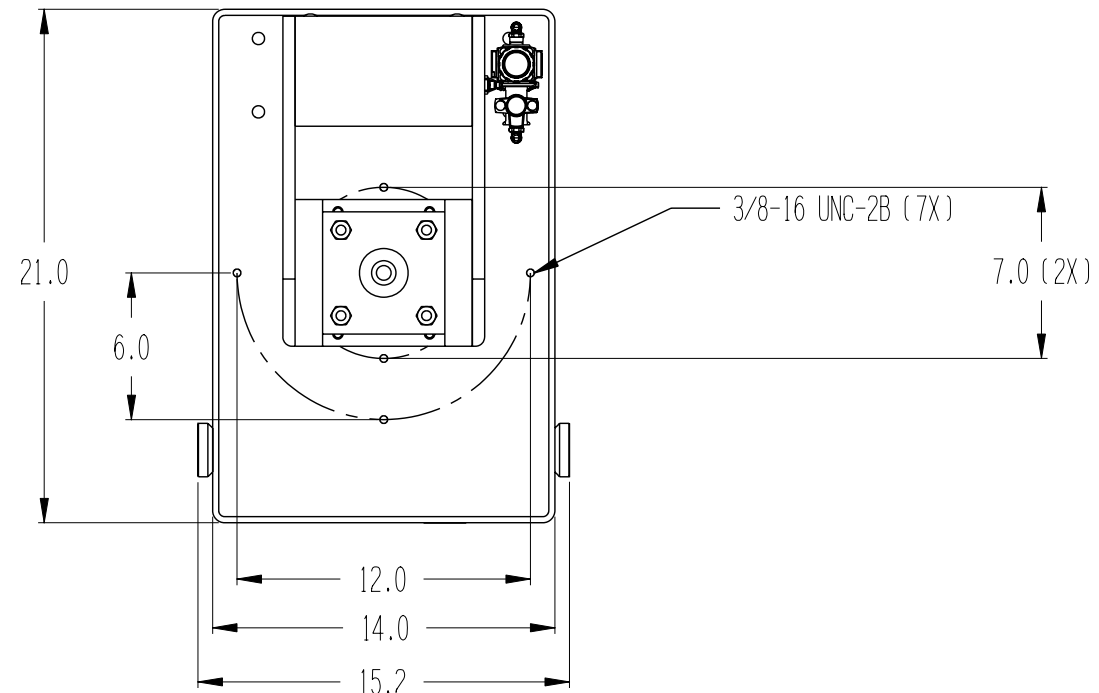


FOR REFERENCE ONLY
 DIMENSIONS AND VALUES SUBJECT TO CHANGE WITHOUT NOTICE

LTR	REVISIONS		DATE	REVISED	APPROVED
	DESCRIPTION				
-					



RS SERIES AIR PRESS			
MACHINE	FORCE @ 100 PSI	A	B
RS5	440 LBS	32	28
RS10	1200 LBS	32	28
RS20	2400 LBS	36	32

NOTES:
 * CYLINDERS ARE NON-ROTATING
 * STROKE IS ADJUSTABLE 0" - 4"

SONITEK
 84 RESEARCH DRIVE, MILFORD, CT 06460
 (203)-878-9321 FAX: (203)-878-6786

THIS PRINT IS THE PROPERTY OF SONITEK AND REPRESENTS
 CONFIDENTIAL AND PROPRIETARY INFORMATION OF SONITEK.
 THEREFORE IT MAY NOT BE USED OR DISCLOSED IN ANY
 WAY WITHOUT THE EXPRESSED WRITTEN CONSENT OF SONITEK.

PART NAME: OVERALL DIMENSIONS

DRAWING NUMBER/CAD FILE
 RS SERIES AIR PRESS OVERALL DIMENSIONS

REV
 -