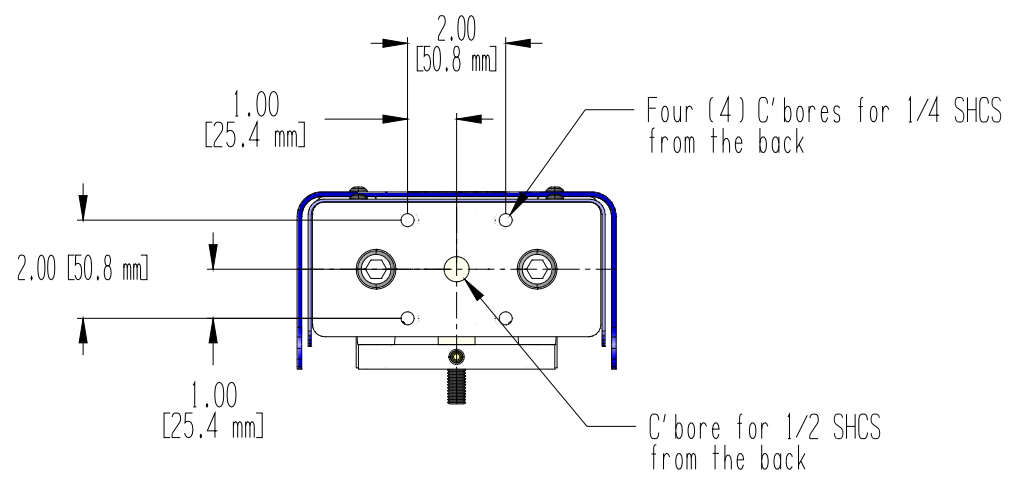
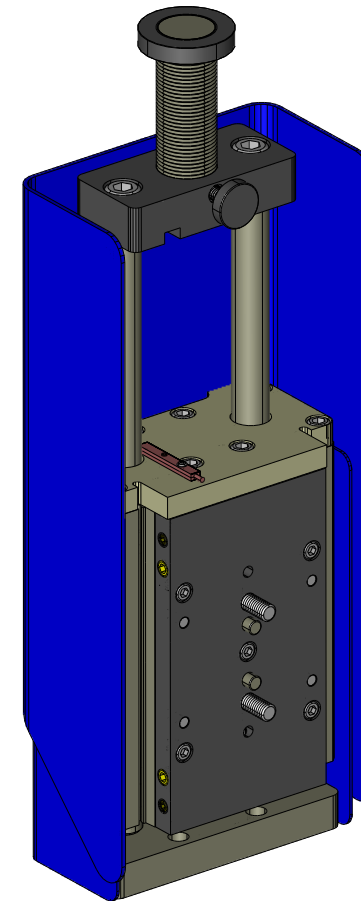


Optional VCU Control



SONITEK
 84 RESEARCH DRIVE, MILFORD, CT 06460
 (203)-878-9321 FAX: (203)-878-6786

THIS PRINT IS THE PROPERTY OF SONITEK AND REPRESENTS CONFIDENTIAL AND PROPRIETARY INFORMATION OF SONITEK. THEREFORE IT MAY NOT BE USED OR DISCLOSED IN ANY WAY WITHOUT THE EXPRESSED WRITTEN CONSENT OF SONITEK.

TITLE: LINEAR THRUSTER

SIZE B	DWG. NO. LT5	REV. -
-----------	-----------------	-----------